

# MBS-SD

## Smoke Detector for Hydro-X

The optional Smoke Detector (MBS-SD) can alert the user at ALL TIMES when smoke is present within their growing area. Up to 5 smoke detectors can be connected to a single Hydro-x controller. If ANY of the smoke detectors determine there is smoke in the area, the user will receive a push notification alert on their phone to alert them to the potential problem BEFORE the problem gets out of hand.



## Specifications

### MBS-SD

#### Input Voltage

Voltage 12V

#### Maximum Current

Current 0.2A

#### Package Content

Smoke Detector (MBS-SD) 1pc

16ft RJ12 Cable 1pc

RJ12 T-Splitter 1pc

#### Working Environments

Temperature 32-122°F (0-50°C)

Humidity ≤90%

#### Package Dimensions

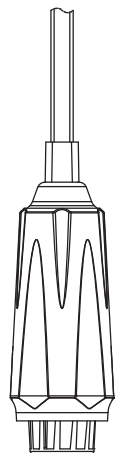
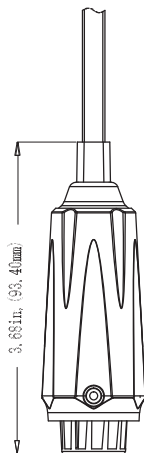
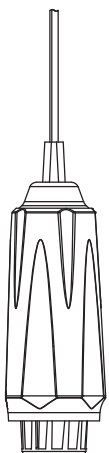
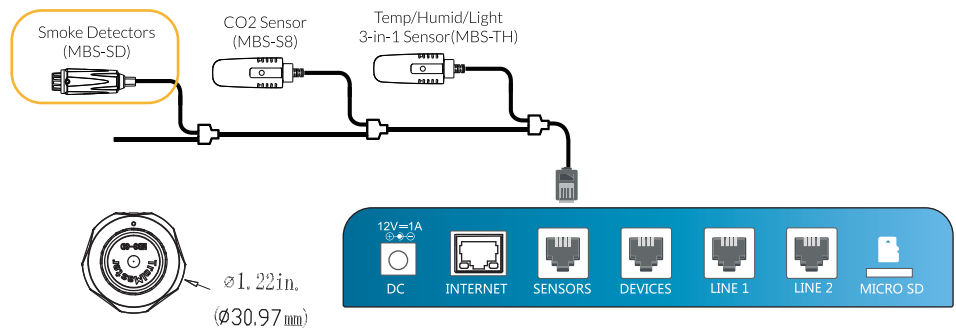
Size 6.30"/ 160mm(L) x  
3.39"/ 86mm(W) x  
3.39"/ 86mm(H)

Gross Weight 13.05oz/370g

## Link Up

### MBS-SD

#### CONNECTION DIAGRAM



RoHS